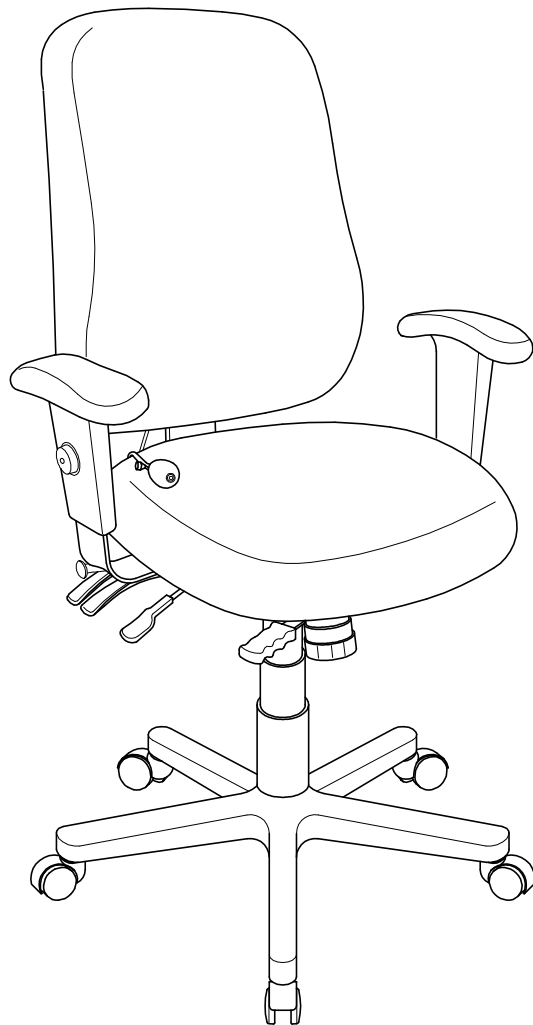


# HEAVY DUTY VISTA CHAIR

ASSEMBLY INSTRUCTIONS-PLEASE KEEP FOR FUTURE REFERENCE



Important-please read these instructions fully before starting assembly

# Safety and Care Advice

Please read these instructions fully before starting assembly

- Check you have all the components and tools listed on page 1 .

- Remove all fittings from the plastic bags and separate them into their groups.

- Make sure you have enough space to layout the parts before starting.

- Keep children and animals away from the work area, small parts could choke if swallowed.

- Do not stand or put weight on the produce during assembly, this could cause damage.



- Assemble the item as close to its final position (in the same room) as possible.

- Assemble on a soft level surface to avoid damaging the unit or your floor.

- Parts of the assembly will be easier with 2 people.

- We do not recommend the use of power drill/drivers for inserting screws, as this could damage the unit. Only use hand screwdrivers.

- Dispose of all packaging carefully and responsibly.

## Care and maintenance

- Only clean using a damp cloth and mild detergent, do not use bleach or abrasive cleaners.

- From time to time check that there are no loose screws on this unit.

- Do not stand on the chair.

- Do not use this chair as step ladder.

- This product should not be discarded with household

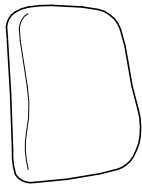
waste. Take to your local authority waste disposal center.

## Handy Hints

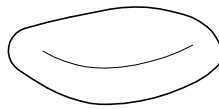
- Assemble all parts and bolts loosely during assembly, only once the product is complete should you fully tighten the bolts.

Regularly check and ensure that all bolts and fittings are tightened properly.

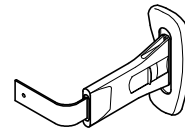
# Components - Parts



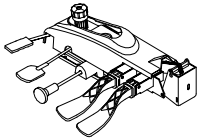
1. Back x 1



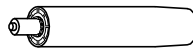
2. Seat x 1



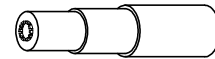
3. Armrest x 2



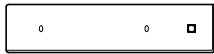
4. Mechanism x 1



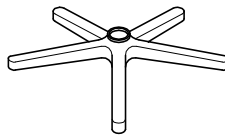
5. Gas lift x 1



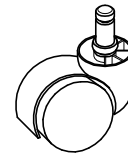
6. Gas lift cover x 1



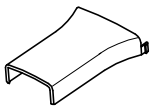
7. Backstrap x 1



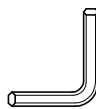
8. Base x 1



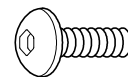
9. Castors x 5



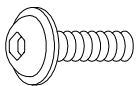
10. Backstrap cover x 1



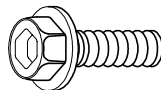
11. M5 Size Allen key



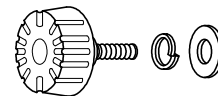
M8 x 10mm  
12. Back Screw x 1



M10 x 23mm  
13. Backstrap screw x 1



M6 x 24mm  
14. Mech screw x 6



15. Arm Fittings x 2

The quantities below are the correct amount to complete the assembly.  
**NOTE:** In some cases more fitting may be supplied than are required.  
Components may look different than the pictures.

# Assembly Instructions

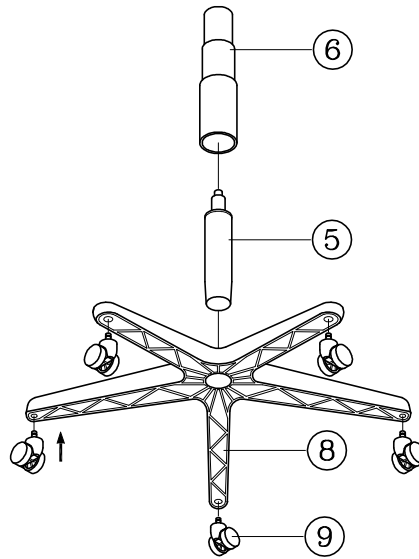
## STEP 1

### Fitting castors

Insert the castors (9) into the bottom of the five-star base (8).

### Fitting Gas and gas lift cover

Insert gas lift (5) into five-star base (8).  
Push the gas lift cover (6) onto the gas lift (5)



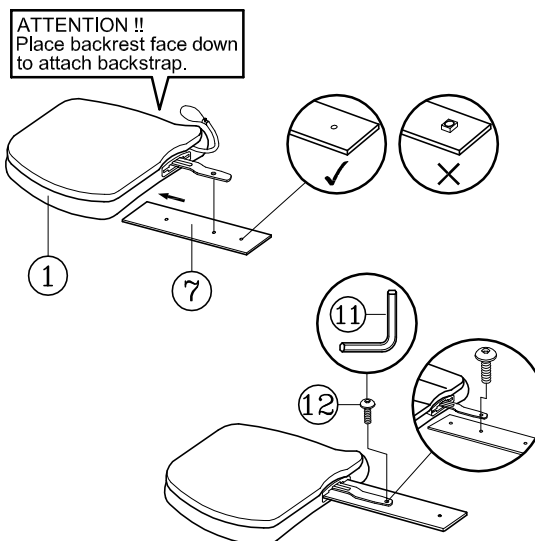
## STEP 2

### Fitting the backstrap

Insert the backstrap (7) into the back (1).

OUTWARD of backstrap needs to be facing away from the front of the back.

Fix the back (1) to the backstrap (7) using the back screw (12) and the 5mm allen key (11)



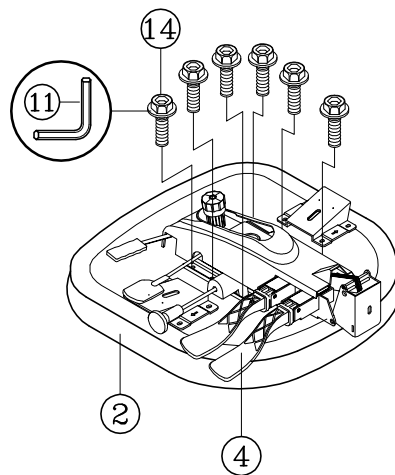
# Assembly Instructions

## STEP 3

### Fitting the Mechanism

Attach the mechanism (4) to the seat (2) using mech screws (14) and the M5 allen key (11)

Torsion knob must be facing to the front of the seat



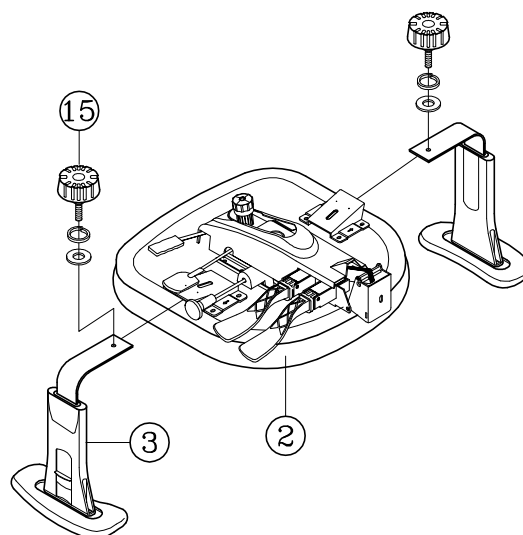
## STEP 4

### Fitting the arms

Insert arm (3) into the bracket attached to the seat (2) using the handwheels (15).

Attach left and right arm in the same way.

Penny and spring washers must be used

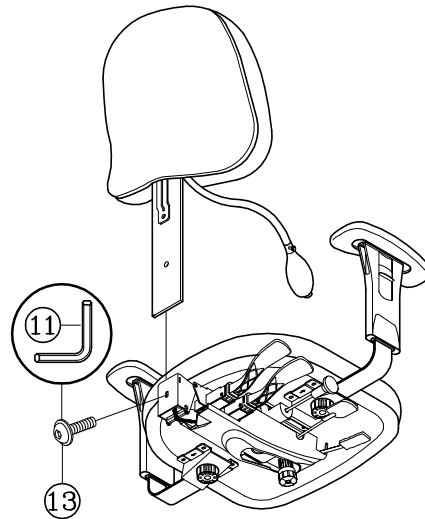


# Assembly Instructions

## STEP 5

### Fitting the back to the seat

Attach the backstrap (7) to the Mechanism (4) using the backstrap screw (13) and the M5 allen key (11)

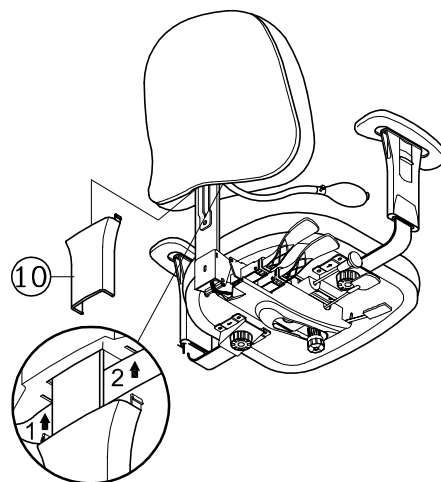


## STEP 6

### Fitting the backstrap cover

Attach the backstrap cover (10) to the back using the hooks on the backstrap cover (10)

The back plastic may need to be pulled out slightly to make room for the hooks



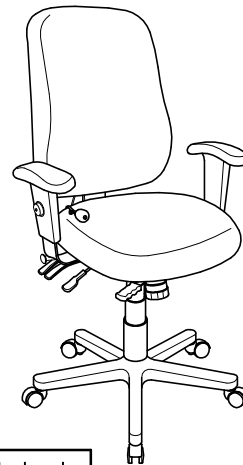
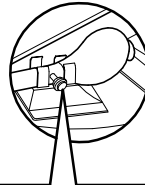
# Assembly Instructions

## STEP 7

### Fitting the chair body to the gas lift

Attach the mechanism (4) to the gas lift (5)

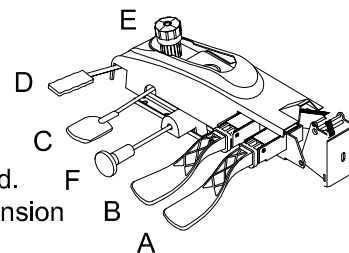
We recommend that two people are used for this action



For lumbar support, inflate back airbag by pumping air through the air pump. To discharge air, turn releasing knob of the air pump counterclockwise.

## MECHANISM INSTRUCTIONS

- (A) Back angle adjustment lever.
- (B) Combination seat / back angle adjustment lever with infinite lock.
- (C) Seat height adjustment lever.
- (D) Forward tilt lever
  - \*While seated, lift lever B and then lean back to activate locking mechanism;
  - \*Pull lever D backward to allow seat to tilt forward-or-push lever D forward to straighten seat;
  - \*To lock in desired position, push lever B downward.
- (E) Tension control knob-Turn clockwise to increase tension and counter-clockwise to decrease tension.
- (F) Sliding seat:
  - Seat depth adjusts for different user leg lengths.



## Handy Hints

- Assemble all parts and bolts loosely during assembly, only once the product is complete should you fully tighten the bolts.
- Regularly check and ensure that all bolts and fittings are tightened properly.