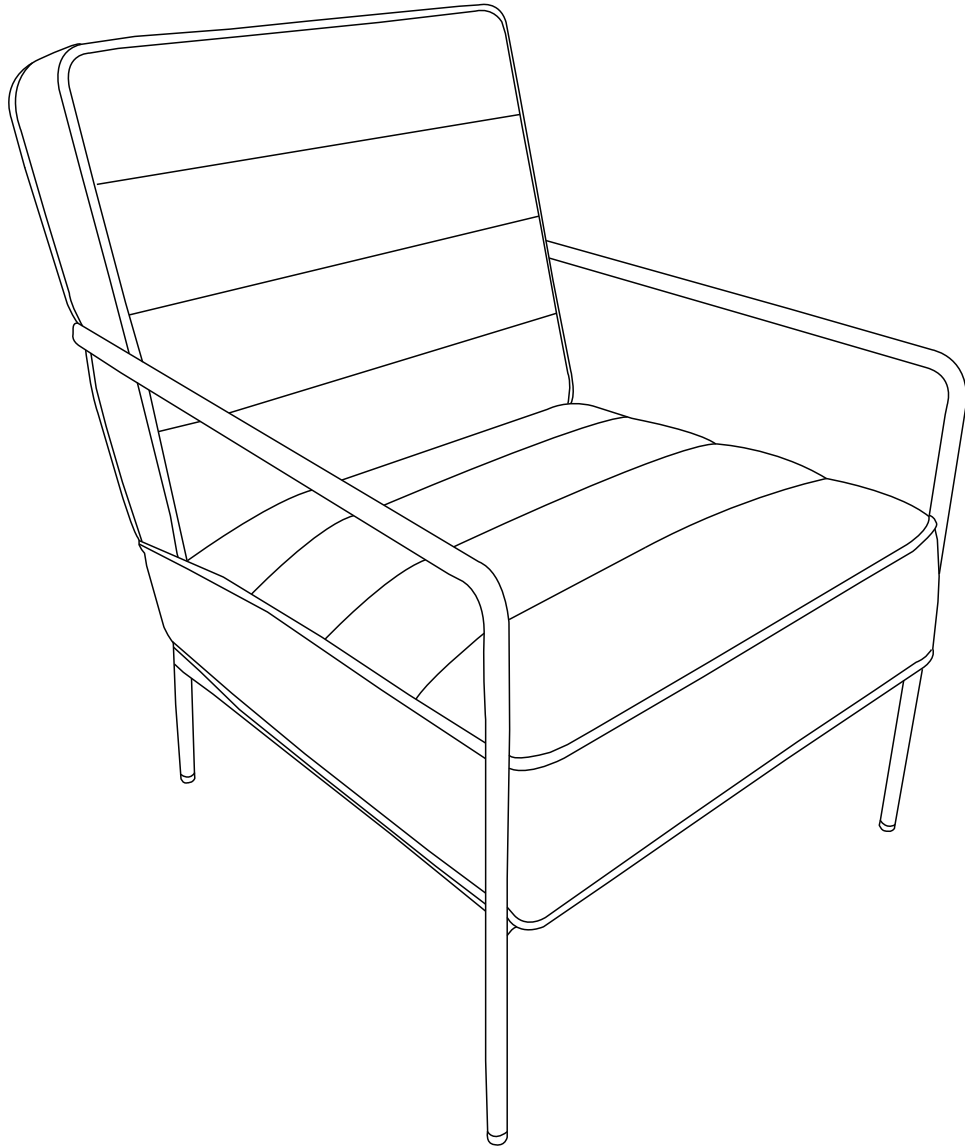


JADE RECEPTION CHAIR

ASSEMBLY INSTRUCTIONS-PLEASE KEEP FOR FUTURE REFERENCE



Important-please read these instructions fully before starting assembly

Safety and Care Advice

Important – Please read these instructions fully before starting assembly

- Check you have all the components and tools listed on pages 2 and 3.
- Remove all fittings from the plastic bags and separate them into their groups.
- Keep children and animals away from the work area, small parts could choke if swallowed.
- Make sure you have enough space to layout the parts before starting.

- Do not stand or put weight on the product during assembly, this could cause damage.
- Assemble the item as close to its final position (in the same room) as possible.
- Assemble on a soft level surface to avoid damaging the unit or your floor.
- Parts of the assembly will be easier with 2 people.



- We do not recommend the use of power drill/drivers **for inserting screws**, as this could damage the unit. Only use hand screwdrivers.
- Dispose of all packaging carefully and responsibly.

Care and maintenance

- Only clean using a damp cloth and mild detergent, do not use bleach or abrasive cleaners.
- From time to time check that there are no loose screws on this unit.

- Do not stand on the chair.
- Do not use this chair as step ladder.
- This product should not be discarded with household

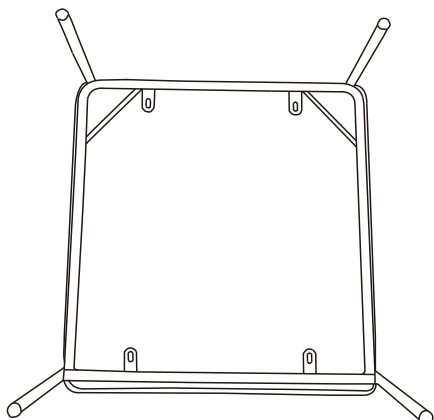
waste. Take to your local authority waste disposal centre.

Handy Hints

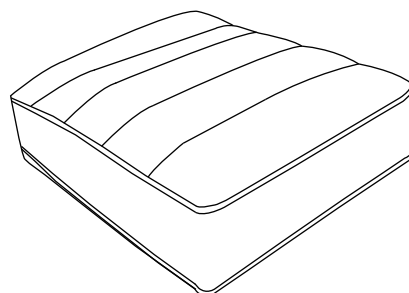
- Assemble all parts and bolts loosely during assembly, only once the product is complete should you fully tighten the bolts.
- Regularly check and ensure that all bolts and fittings are tightened properly.

Components - Parts

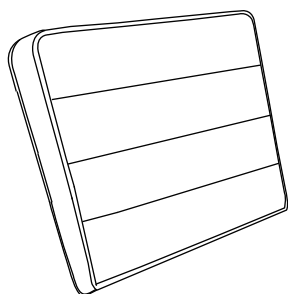
Please check you have all the parts listed below



A Base frame



B Seat X1



C Back X1

Components - Fittings

Please check you have all the fittings listed below.

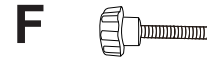
Note: The quantities below are the correct amount to complete the assembly.
In some cases more fittings may be supplied than are required.



Bolts 30mm/6pcs



Washer 22mm/2pcs



Bolts 50mm/2pcs



Spring Washer M8/8PCS



Washer M6×18×1mm/6PCS



M5 Allen Key (supploed)

Assembly Instructions

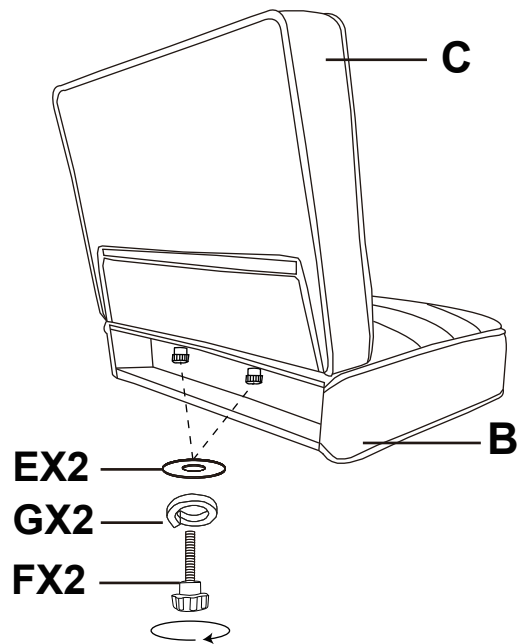
Step 1

Fitting the back and seat

Use bolts **F** and washer **E**

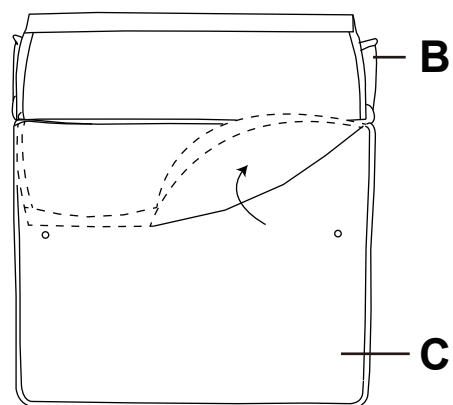
and spring washer **G**

to fix the back **C** onto the seat **B**.



Step 2

Take the fabric to cover the bolts.

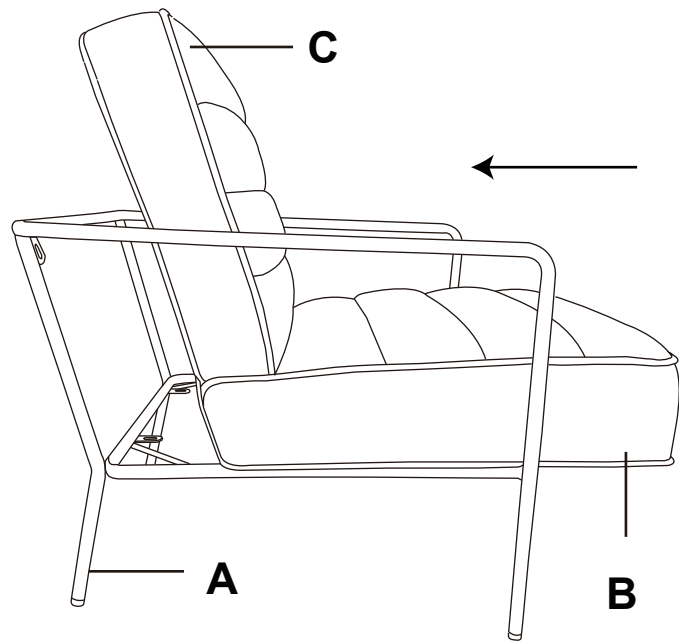


Assembly Instructions

Step 3

Fitting the Seat Cushion

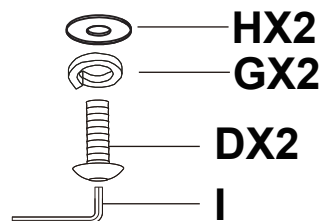
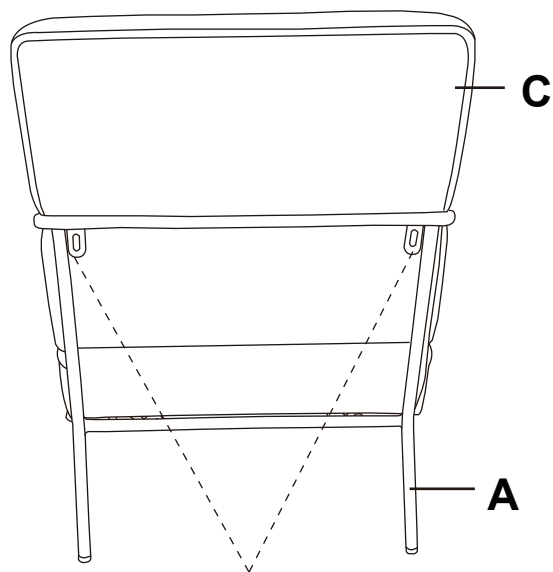
Carefully locate the seat **B** onto the base unit **A**.



Step 4

Fitting the back

Use bolts **D** and washer **H** and spring washer **G** to fix the back **C** onto the base frame **A**.

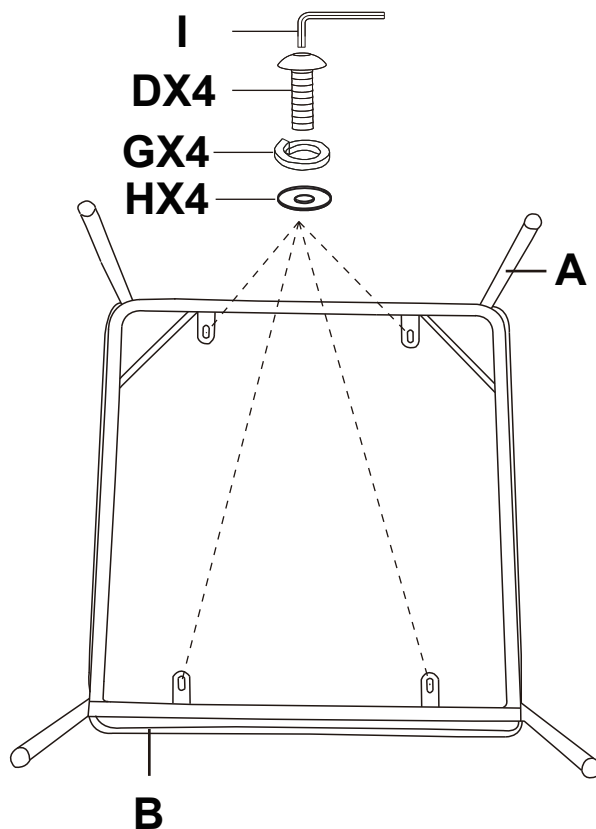


Assembly Instructions

Step 5

Fitting the base

Use bolts **D** and washer **H** and spring washer **G** to fix the seat **B** onto the base frame **A**.



Step 6

