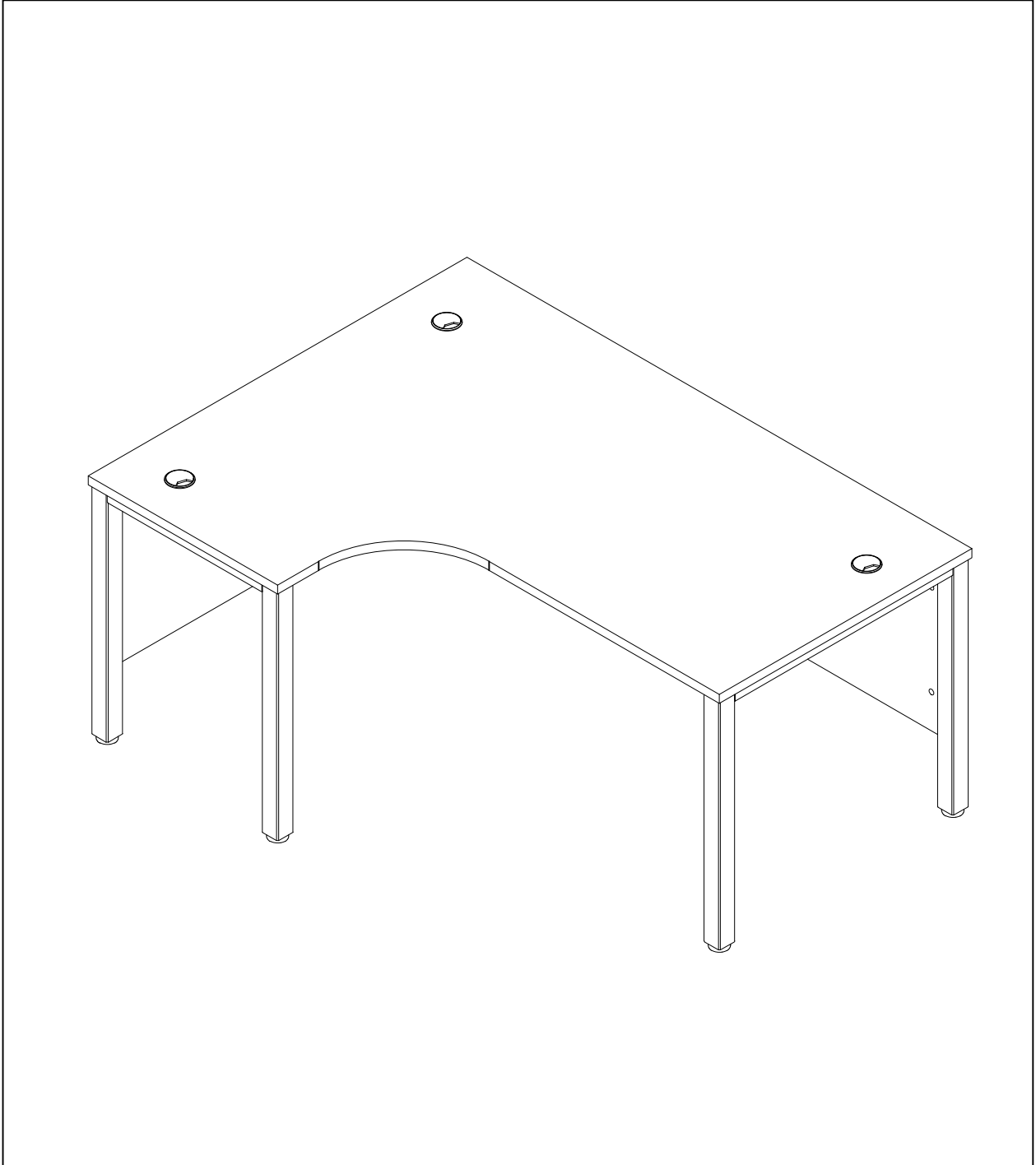


GPLHRADLEGPK


ASSEMBLY INSTRUCTIONS - PLEASE KEEP FOR FUTURE REFERENCE



IMPORTANT - PLEASE READ THE INSTRUCTIONS FULLY BEFORE STARTING ASSEMBLY

SAFETY AND CARE ADVICE

Important - Please read these instructions fully before starting assembly

- Check you have all the components and tools listed on pages 2 and 3.
 - Remove all fittings from the plastic bags and separate them into their groups.
 - Keep children and animals away from the work area, small parts could choke if swallowed.
 - Make sure you have enough space to layout the parts before starting.
 - Do not stand or put weight on the product during assembly, this could cause damage.
 - Assemble the item as close to its final position (in the same room) as possible.
 - Assemble on a soft level surface to avoid damaging the unit or your floor.
 - Parts of the assembly will be easier with 2 people.
- 
- We do not recommend the use of power drill/drivers for inserting screws, as this could damage the unit. Only use the allen key provided, or a hand screwdriver.
 - Dispose of all packaging carefully and responsibly.

Care and maintenance

- Only clean using a damp cloth and mild detergent, do not use bleach or abrasive cleaners.
- From time to time check that there are no loose screws on this unit.
- Do not stand on the unit.
- Do not use this unit as step ladder.
- This product should not be discarded with household waste. Take to your local authority waste disposal centre.

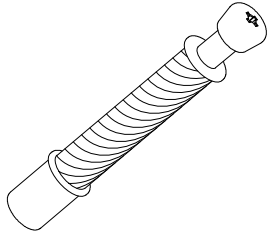
Handy Hints

- Assemble all parts and bolts loosely during assembly, only once the product is complete should you fully tighten the bolts.
- Regularly check and ensure that all bolts and fittings are tightened properly.

COMPONENTS - FIXINGS

PLEASE CHECK YOU HAVE ALL THE PARTS LISTED BELOW

01



Minifix Bolt x 12

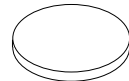
02



To fit into modesty panels.

Minifix Cam x 12

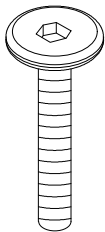
03



To cover the Minifix cam.

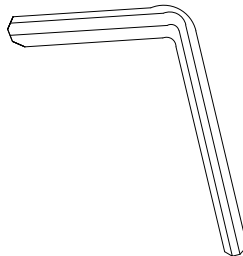
Minifix Sticker x 12

04



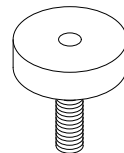
Screws x 4
(Size M6 x 35 mm)

05



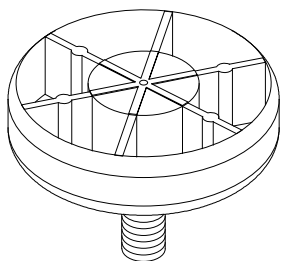
Allen Key x1
(Size 4mm)

06



Height Adjustable Foot x 1
(Size M6 x 25 mm)

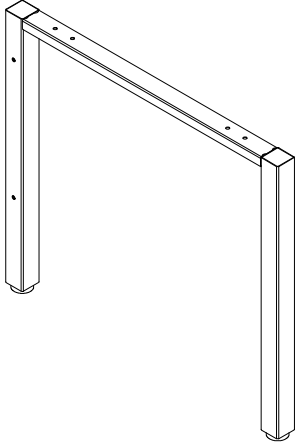
07



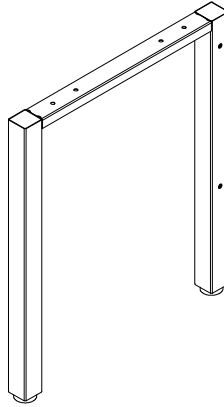
Height Adjustable Foot x 4
(Size M10 x 35)

COMPONENTS - PARTS

PLEASE CHECK YOU HAVE ALL THE PARTS LISTED BELOW



Right Metal Leg x 1
W: 790 - H: 705



Left Metal Leg x 1
W: 590 - H: 705



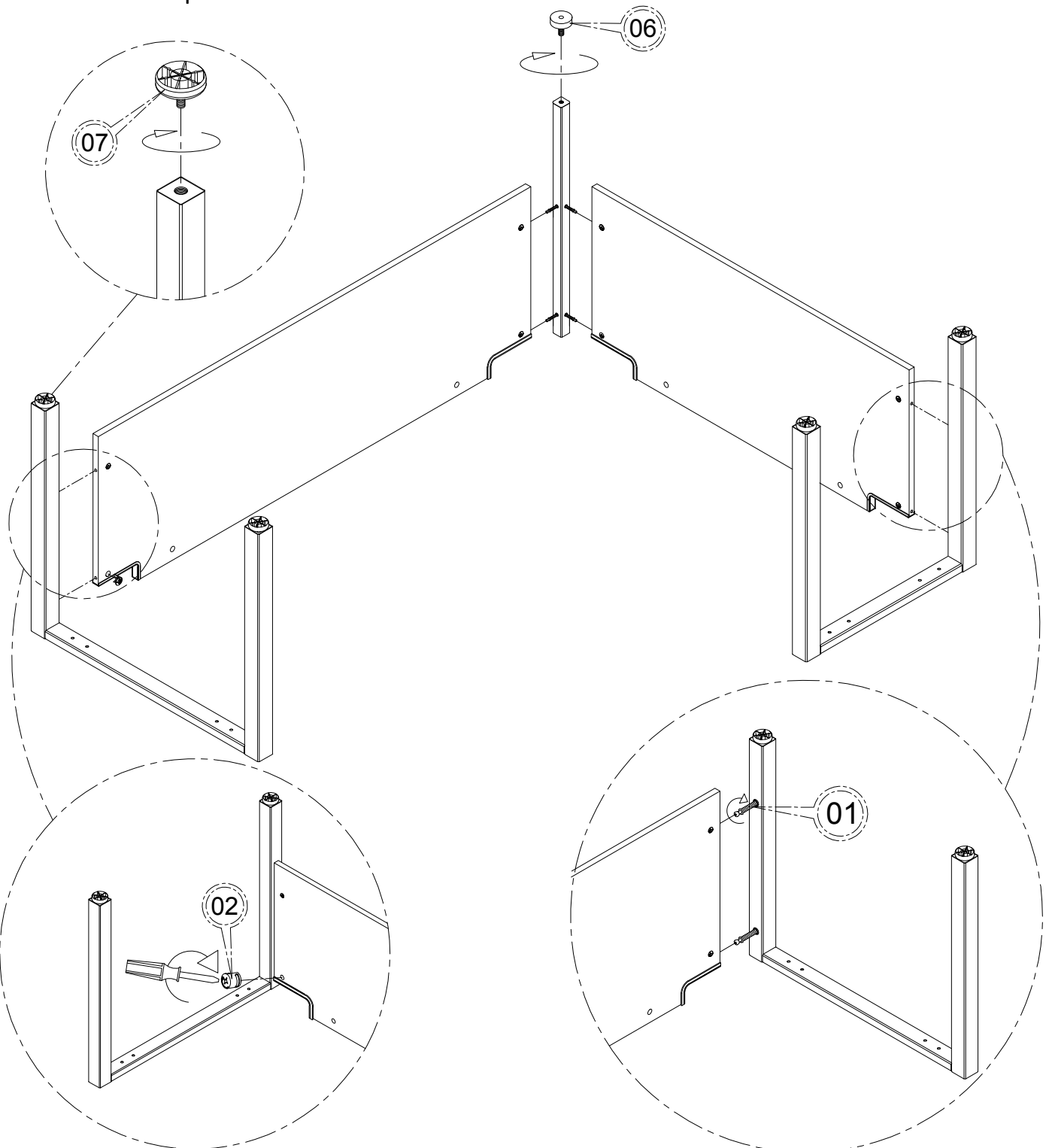
Corner Leg x 1
W: 30 - H: 695

ASSEMBLY INSTRUCTIONS

STEP 1

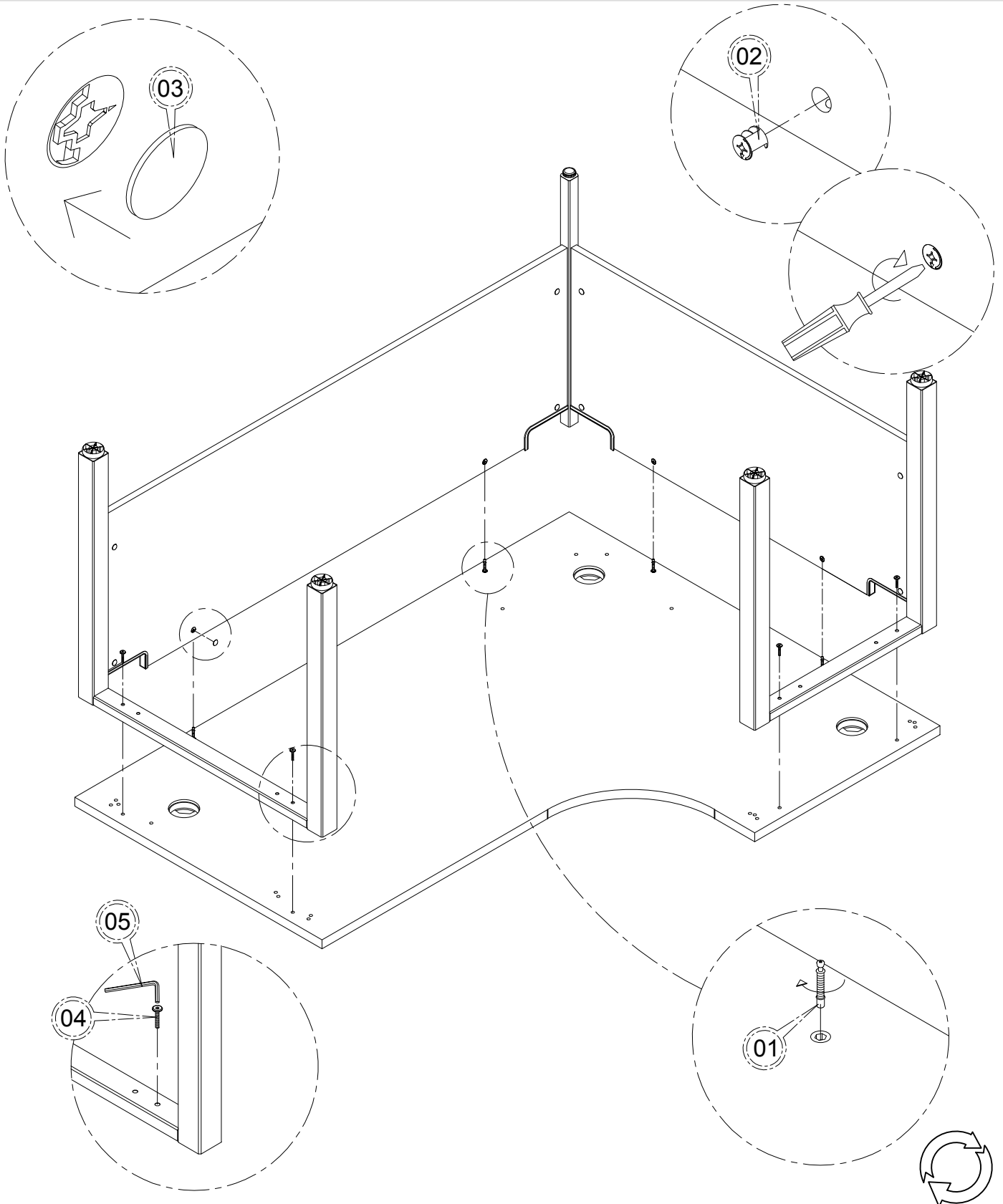
The arrow on the cam **must** point to the nearest edge of the wood panel, in order to accept the bolt

Please ensure leg and modesty panel(s) are connected **before** fitting to the desktop



ASSEMBLY INSTRUCTIONS

STEP 2



ASSEMBLY INSTRUCTIONS

STEP 3

