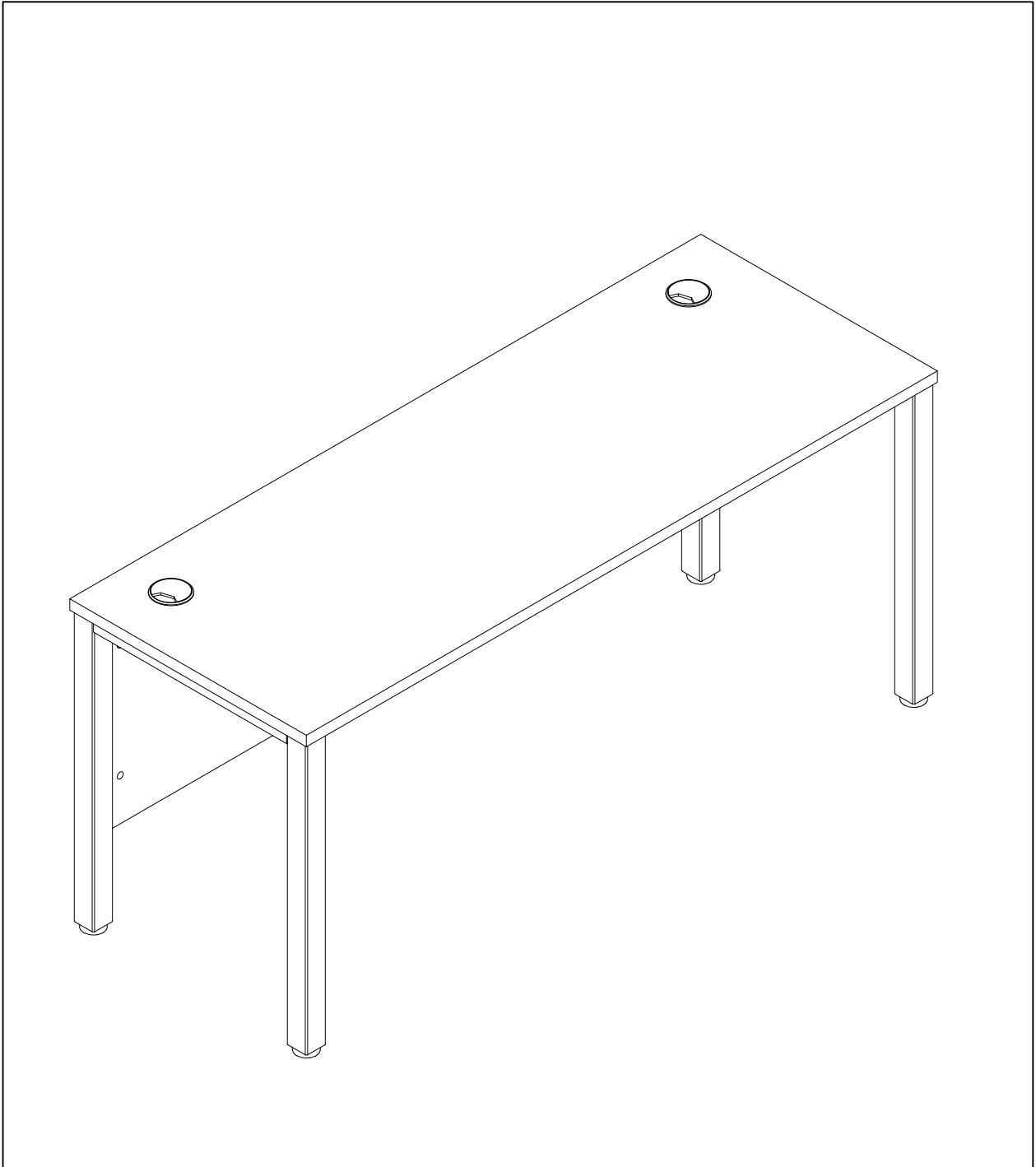


GP60LEGPK

ASSEMBLY INSTRUCTIONS - PLEASE KEEP FOR FUTURE REFERENCE



IMPORTANT - PLEASE READ THE INSTRUCTIONS FULLY BEFORE STARTING ASSEMBLY

SAFETY AND CARE ADVICE

Important - Please read these instructions fully before starting assembly

- Check you have all the components and tools listed on pages 2 and 3.
- Remove all fittings from the plastic bags and separate them into their groups.
- Keep children and animals away from the work area, small parts could choke if swallowed.
- Make sure you have enough space to layout the parts before starting.
- Do not stand or put weight on the product during assembly, this could cause damage.
- Assemble the item as close to its final position (in the same room) as possible.
- Assemble on a soft level surface to avoid damaging the unit or your floor.
- Parts of the assembly will be easier with 2 people.
- We do not recommend the use of power drill/drivers for inserting screws, as this could damage the unit. Only use the allen key provided, or a hand screwdriver.
- Dispose of all packaging carefully and responsibly.



Care and maintenance

- Only clean using a damp cloth and mild detergent, do not use bleach or abrasive cleaners.
- From time to time check that there are no loose screws on this unit.
- Do not stand on the unit.
- Do not use this unit as step ladder.
- This product should not be discarded with household waste. Take to your local authority waste disposal centre.

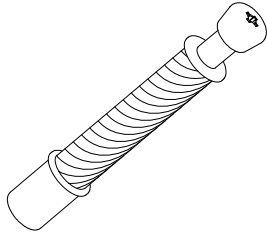
Handy Hints

- Assemble all parts and bolts loosely during assembly, only once the product is complete should you fully tighten the bolts.
- Regularly check and ensure that all bolts and fittings are tightened properly.

COMPONENTS - FIXINGS

PLEASE CHECK YOU HAVE ALL THE PARTS LISTED BELOW

01



Minifix Bolt x 6

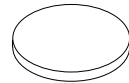
02



To fit into modesty panels.

Minifix Cam x 6

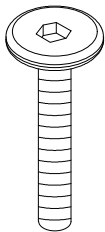
03



To cover the Minifix cam.

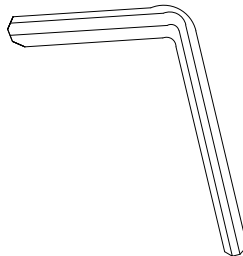
Minifix Sticker x 6

04



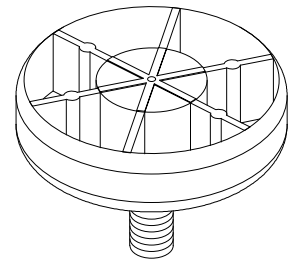
Screws x 4
(Size M6 x 35 mm)

05



Allen Key x1
(Size 4mm)

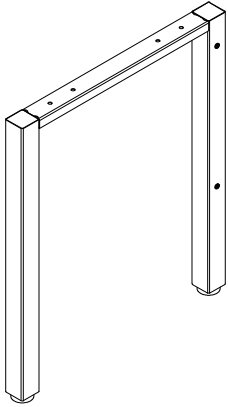
06



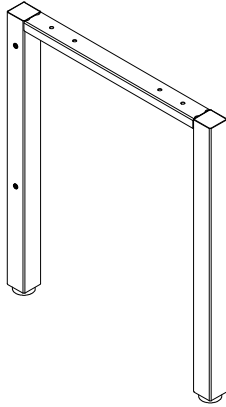
Height Adjustable Foot x 4
(Size Ø 50 M10 x 35)

COMPONENTS - PARTS

PLEASE CHECK YOU HAVE ALL THE PARTS LISTED BELOW



Left Metal Leg x 1
W: 590 - H: 705



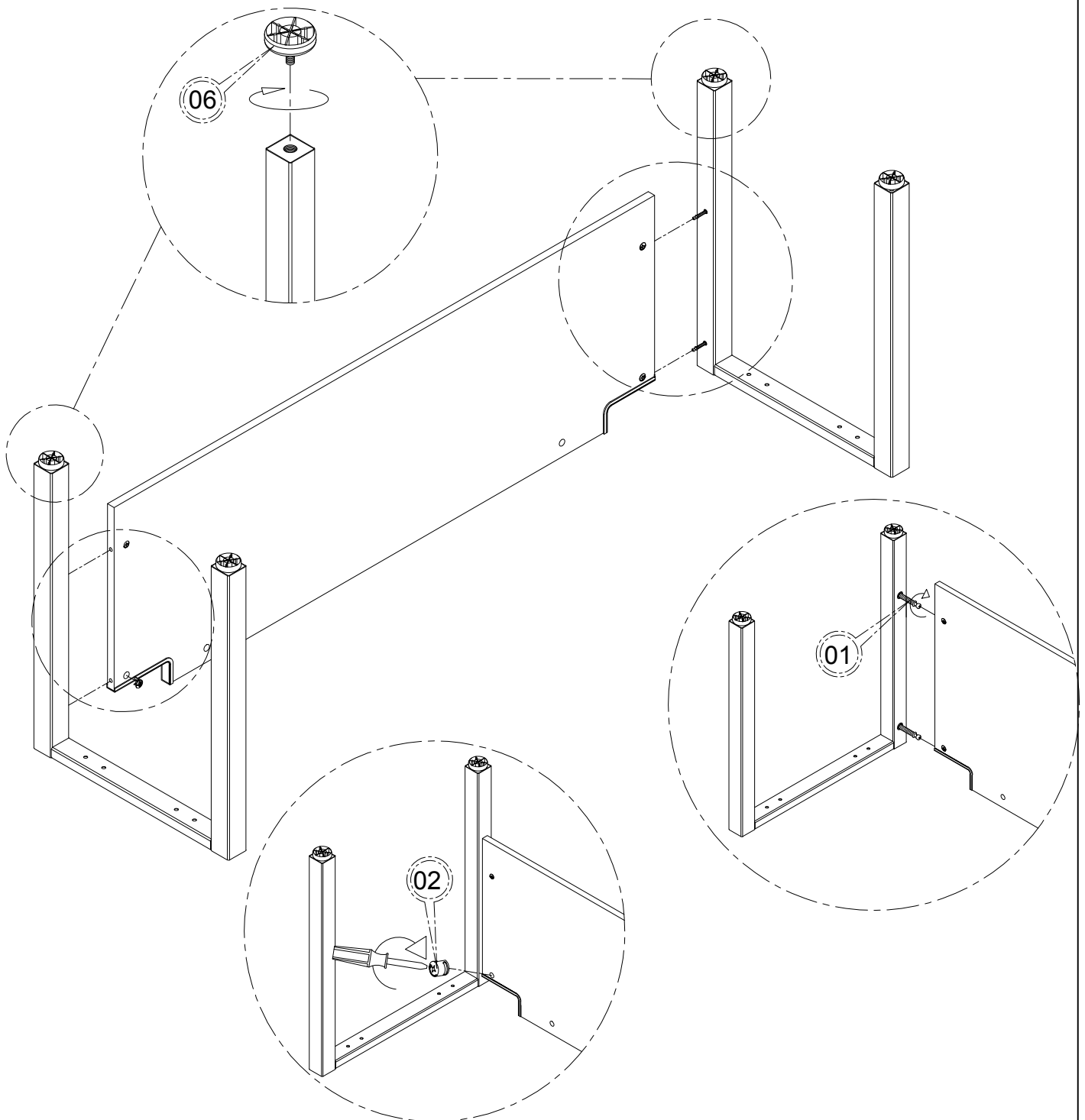
Right Metal Leg x 1
W: 590 - H: 705

ASSEMBLY INSTRUCTIONS

STEP 1

The arrow on the cam **must** point to the nearest edge of the wood panel, in order to accept the bolt

Please ensure leg and modesty panel(s) are connected **before** fitting to the desktop



ASSEMBLY INSTRUCTIONS

STEP 2

